

MAIN OPTIONS

Mechanical variants

- Motors protection IP55, IP56, IP65, IP66
- Low ambient temperature design up to -55°C
- Special flanges and shafts
- Double ended shafts
- Locked bearings, roller bearings or special bearings
- Terminal box on side
- SPM probe (vibrations measurement)
- Cable glands fitted on terminal box
- Drain Valves
- Grade A or B balancing
- Rain cap or sun shield water shredding disk
- Auxiliary terminal box

Electrical

- Special voltage and frequency
- Low inrush current
- Heaters
- Bimetallic thermal protection (NC, NO), thermistors (PTC), platinum resistor (PT100)
- Three phase 2 speeds
- Tropicalized
- Class H insulation
- VPI - Vacuum Pressure Impregnation

Accessories

- Suitable for frequency converter drives
- Forced ventilation (IC416)
- Encoders (100 – 10000 ppr)
- Bearing sensors

CERTIFICATIONS



HEADQUARTER

Cemp srl
Via Piemonte 16
20030 Senago (Milano) - Italy
Phone: +39 029443540 1
Fax: +39 029989177
info@cemp.eu

BRANCHES

Germany
Dr. Atzinger-Strasse 5
94036 Passau - Germany
Phone: +49 (0)8519662320
Fax: +49 (0)85196623213
cemp-deutschland@cemp.eu

OFFICES

France
14 rue des Cours Neuves,
77135 Pontcarré - France
Phone: +33 (0)164668736
Fax: +33 (0)164660582
cemp-france@cemp.eu

Dubai
GT3, Office 001
Jebel Ali Free Zone - Dubai - UAE
Phone: +971 48812666
Fax: +971 48812662
cemp-uae@cemp.eu



Cemp S.r.l.
Via Piemonte, 16
20030 Senago (Milan) - Italy
Phone: +39 02 94435401
Fax: +39 02 9989177

www.regalbeloit.com

APPLICATION CONSIDERATIONS

The proper selection and application of power transmission products and components, including the related area of product safety, is the responsibility of the customer. Operating and performance requirements and potential associated issues will vary appreciably depending upon the use and application of such products and components. The scope of the technical and application information included in this publication is necessarily limited. Unusual operating environments and conditions, lubrication requirements, loading supports, and other factors can materially affect the application and operating results of the products and components and the customer should carefully review its requirements. Any technical advice or review furnished by Regal Beloit America, Inc. and/or its affiliates ("Regal") with respect to the use of products and components is given in good faith and without charge, and Regal assumes no obligation or liability for the advice given, or results obtained, all such advice and review being given and accepted at customer's risk.

For a copy of our Standard Terms and Conditions of Sale, please visit <http://www.regalbeloit.com> (please see link at bottom of page to "Standard Terms and Conditions of Sale"). These terms and conditions of sale, disclaimers and limitations of liability apply to any person who may buy, acquire or use a Regal product referred to herein, including any person who buys from a licensed distributor of these branded products.

Regal and Cemp are trademarks of Regal Beloit Corporation or one of its affiliated companies.
©2018 Regal Beloit Corporation, All Rights Reserved. MCB17065E • Form# 10197E



cemp[®]
Flameproof
Motors

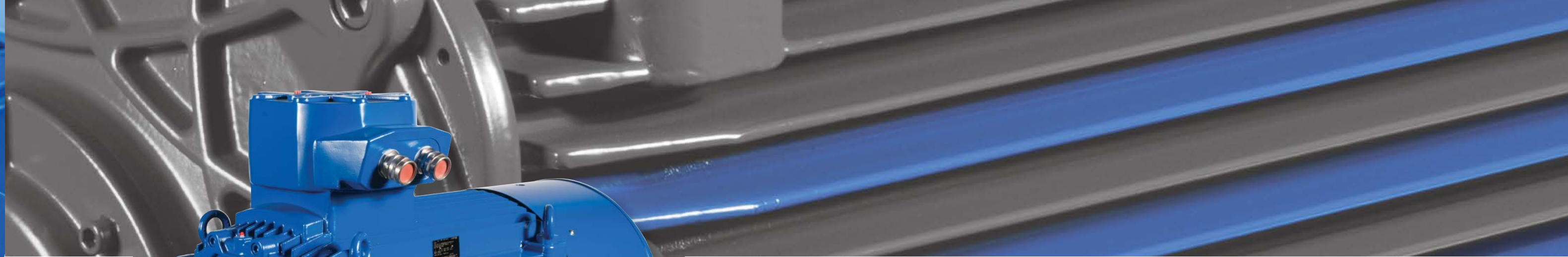


MOTOR SIZE 355 - IE3 / IE4

ATEX - IECEx

REGAL[®]

REGAL[®]



355 IE3 Motors

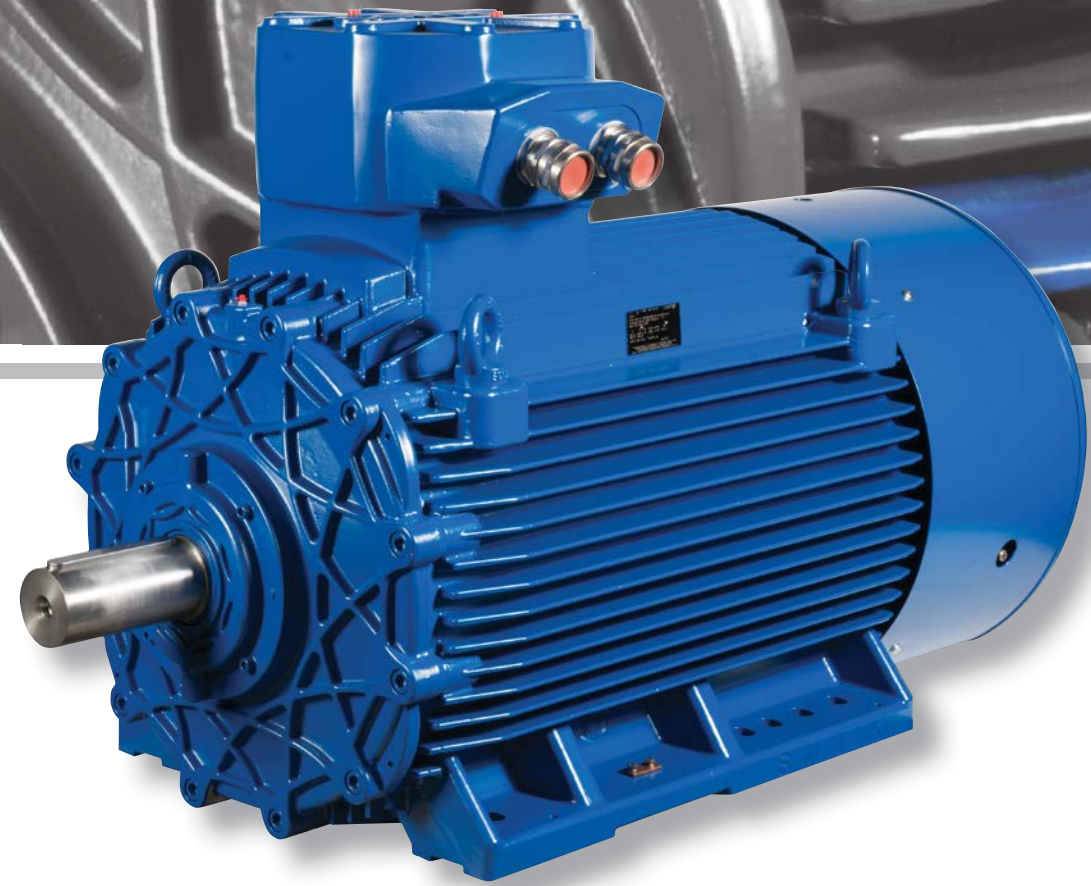
ATEX and IECEx compliant

SERIES AB-AC-AM-E3AN-E3AD-E3AQ, CAST IRON

According to Standards:
IEC 60079-0, 1, 7, 31
IEC 60034-1, 5, 6, 7, 8, 9, 12, 14
IEC 60072
Ex db, Ex db eb, Ex ec, Ex tb, Ex tc
ATEX category 2G, 2D, 2GD, 3G, 3D, 3GD
IECEX certified
Group IIB, IIC, IIIB, IIIC, I
Temperature Class T3, T4, T150°C, T135°C
Protection IP55, IP56, IP65, IP66
Frame size 355 (IEC)
Power from 160 to 375 kW
Three phase 1 or 2 speed
400V, 50 Hz
Pole 2, 4, 6, 8
IC410, IC411, IC416 and IC418 available

TECHNICAL FEATURES

- Three-phase squirrel cage asynchronous motors.
- Totally enclosed, fan cooled, frame IP55 with terminal box IP65.
- PTC thermistors.
- Anti-condensation heater.
- Terminal box designed to be rotated by 90° in 4 different positions.
- High corrosion protection:
 - internal anti-rust coating and external epoxy paint coating (minimum thickness 120 µm);
 - stainless steel nameplate;
 - anticorrosion plated fasteners.
- High impact protection:
 - frame, terminal box and cast iron endshields;
 - fan cover in sheet steel.
- Standard motors equipped with radial deep groove open ball bearings.
- Low friction dust seals.
- Bearings with greasing nipples.
- Roller bearings for heavy loads.



RATED DATA FOR 1 SPEED MOTORS (3000, 1500, 1000 1/MIN)

TYPE	POLE	Rated output	Speed	Current	Efficiency	Power factor	Torque	Starting Current	Starting torque	Maximum Torque	Moment of inertia	Mass
		P _n [kW]	n [1/min]	I _n [A]	η [%]	cos φ	M _n [Nm]	I _a /I _n	M _a /M _n	M _m /M _n	J [kgm ²]	m [kg]
355 M	2	250	2983	420	95,8	0,90	800	6,8	1,7	2,8	3,8130	1980
355 ML		315	2983	526	95,8	0,90	1014	6,9	1,8	2,8	4,5200	2230
355 LC		355	2986	595	95,8	0,90	1133	7,9	2,2	3,2	5,5809	2440
355 LD		375	2986	626	95,8	0,90	1200	7,8	2,2	3,1	5,5809	2440
355 M	4	250	1491	424	96,0	0,89	1600	7,1	1,9	2,5	9,3060	2120
355 LB		315	1491	529	96,0	0,90	2030	7,1	1,9	2,4	10,8070	2410
355 LC		355	1491	598	96,0	0,89	2268	7,2	2,0	2,3	11,9000	2490
355 LD		375	1491	630	96,0	0,90	2403	6,8	1,9	2,2	11,9000	2490
355 MA	6	160	992	287	95,8	0,84	1543	6,6	2,0	2,7	9,5950	2015
355 MB		200	992	359	95,8	0,84	1938	6,8	2,1	2,7	11,2140	2155
355 LC		280	992	500	95,8	0,84	2695	6,8	2,1	2,7	14,6350	2570
355 LD		315	992	562	95,8	0,84	3032	6,8	2,1	2,7	16,0071	2690

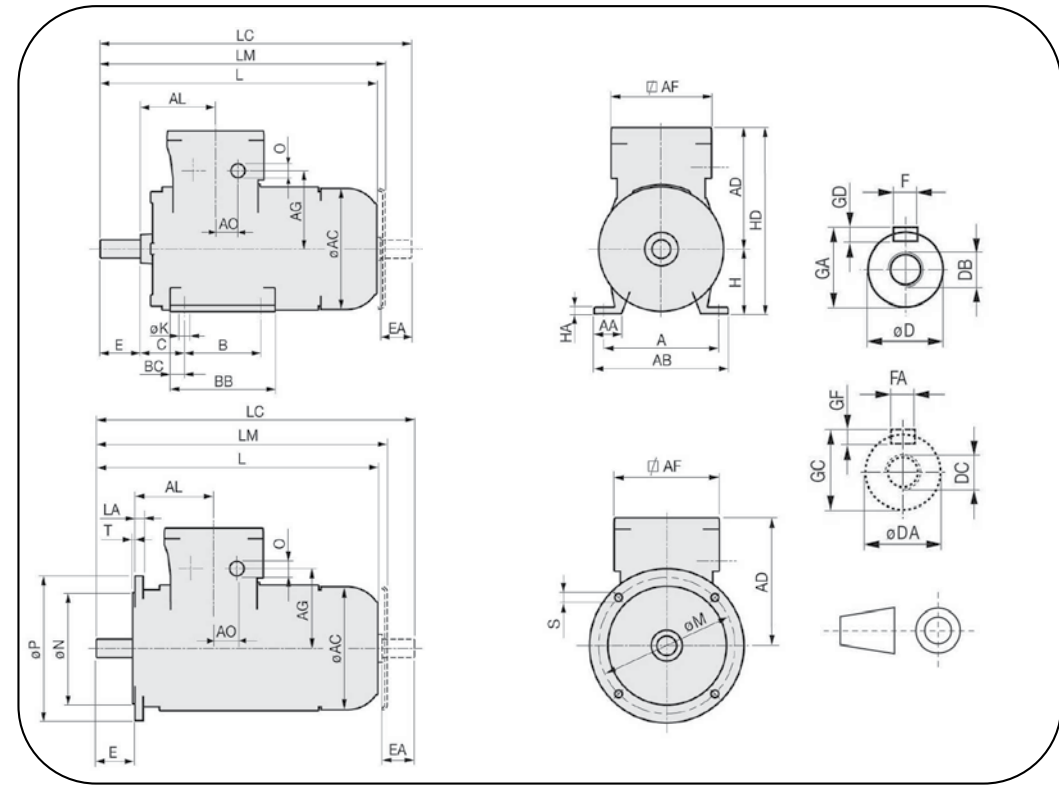
BEARINGS

Frame size	Pole	Drive end	Non drive end	Lubrication Time [h]	Grease amount [g]
355	2	6317 C3	6316 C3	3400	40
	4	6322 C3	6316 C3	6900	60
	6, 8	6322 C3	6316 C3	11200	60

Standard ball bearing

Roller bearing on request

DIMENSIONAL DATA



Type	A	AA	AB	øAC	AD	AF	AL	B*	BC	BB	C	H ^{0.5}	HA	HD	øK	L	LC
355M 2	610	150	760	735	693	410	429	560*	80	739	254	355	50	1048	28	1544	1704
355M 4-6-8	610	150	760	735	693	410	429	560*	80	739	254	355	50	1048	28	1624	1844
355L 2	610	150	760	735	693	410	429	630^	80	889	254	355	50	1048	28	1704	1854
355L 4-6-8	610	150	760	735	693	410	429	630^	80	889	254	355	50	1048	28	1774	1994

Type	LM	AO	IEC60423 n. x 0	AG	øD øDA	E EA	F FA	GA GC	GD GF	DB DC	LA	øM	øN	øP	S	T
355M 2	1654	65	2 x M75	538	70	140	20	74.5	12	M20	25	740	680	800	24	6
355M 4-6-8	1724	65	2 x M75	538	100	210	28	106	16	M24	25	740	680	800	24	6
355L 2	1804	65	2 x M75	538	70	140	20	74.5	12	M20	25	740	680	800	24	6
355L 4-6-8	1874	65	2 x M75	538	100	210	28	106	16	M24	25	740	680	800	24	6

Every care has been taken to ensure the accuracy of the information contained in this publication. Due to Regal's policy of continuous development and improvement, the company reserves the right to supply products which may differ slightly from those illustrated and described in this publication.

B*
***500**
^500; 560; 710

Descriptions and technical features listed in this brochure may not be considered as binding. Under no circumstances should data in this publication be considered as a contractual obligation.
PRELIMINARY RELEASE